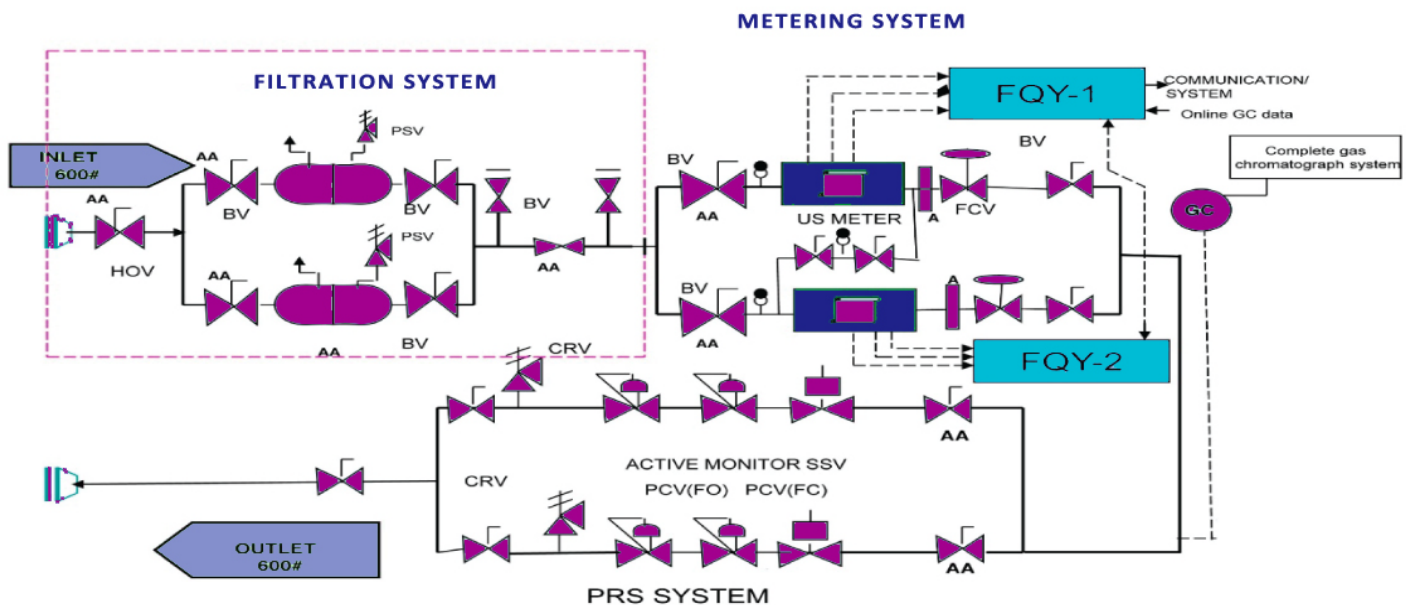


METERING SKID - ADVANTAGES & APPLICATIONS

With new technology comes the need for more complicated, yet compact, skid assemblies. You need a fully mounted unit on which several assemblies can be installed, and you need it to include custody transfer, filtration and indirect heating.



- Metering Skids are designed to optimize operation and maintenance costs
- Ultrasonic / Coriolis Flow meters are used to meet the highest accuracy in flow measurement
- The location of the skid can be user defined
- Temperature and pressure are constantly monitored using instruments for best accuracy
- Operations are controlled by an automated or manual Central Control Unit
- Removal of solids and liquid drops is facilitated using a Cartridge Filter Skid located at the stream inlet
- An end-to-end process connection is installed within the basic frame structure
- Provisions are included for suitable grouting at the site



Industries Served

- Midstream segments
Pipeline owners and operators
- Process plants and refineries

Applications

- Product loading/unloading
- Liquid custody transfer
- Gaseous custody transfer
- Flow measurement

Highlights

Optimization of operations

High-accuracy flow measurement

Control from central control unit (remote)



BLISS ANAND AMERICA

The Spirit to Walk an Extra Mile

281.479.2547 | sales@blissanandusa.com